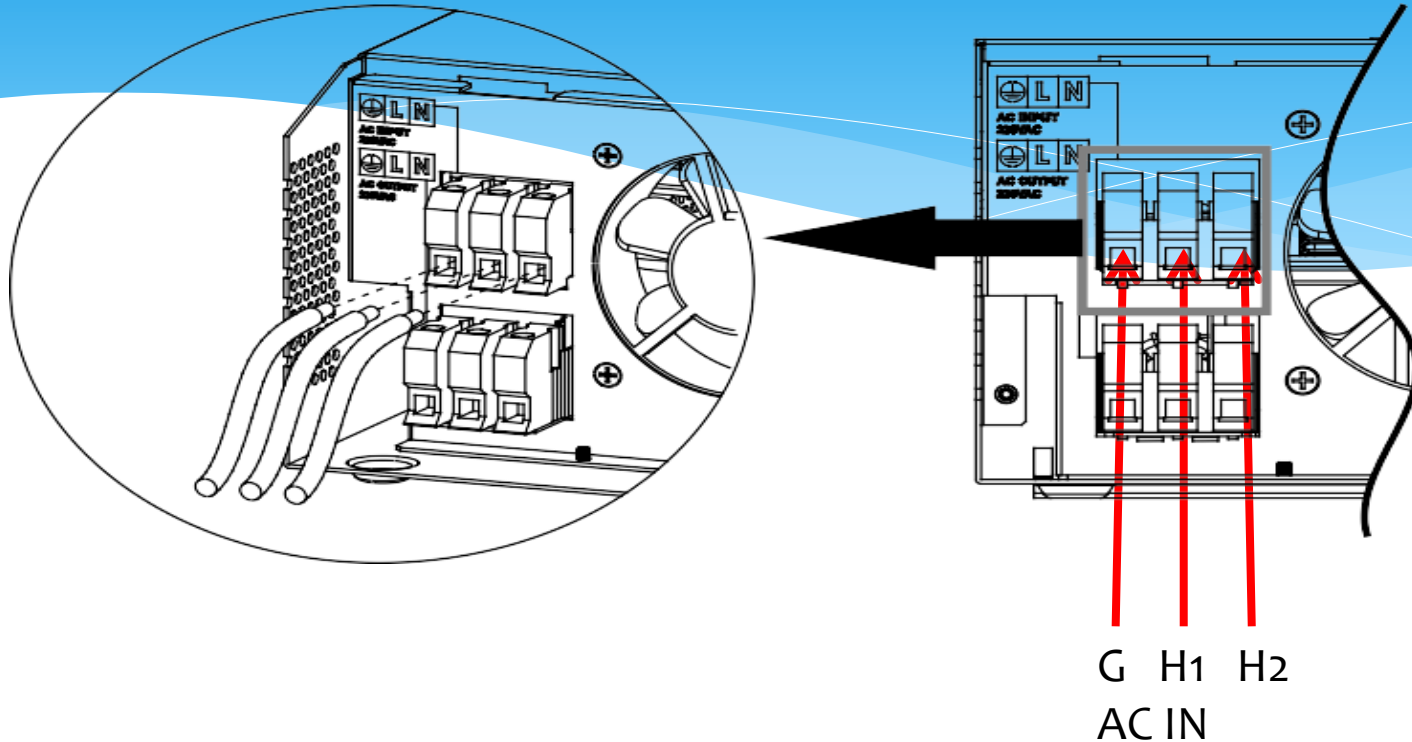


Shenzhen Sigineer Power CO.,LTD. [www.sigineer.com](http://www.sigineer.com)

# Wiring Instruction for M5000H 230V Single Phase inverter in 120/240 split phase system

Sigineer Power's M5000H-48BP 230V single phase inverter is an international model which can be used in 120/240V Split phase systems in America and also 230Vac single phase systems.

Users from 120/240Vac 60Hz split  
phase phase electricity  
system( 120VL+120V L+ N+G) must  
strictly follow our wiring instructions,  
or damage to inverter will occur.



- 1 Connect Ground wire to Ground terminal.
- 2 Connect AC input Hot1 to Input Hot.
- 3 Connect AC input Hot2 to Input Neutral.
- 4 Connect Output Hot to AC output Hot1.
- 5 Connect output Neutral to AC output Hot2.
- 6 DON'T CONNECT AC INPUT NEUTRAL or load neutral to the inverter.**