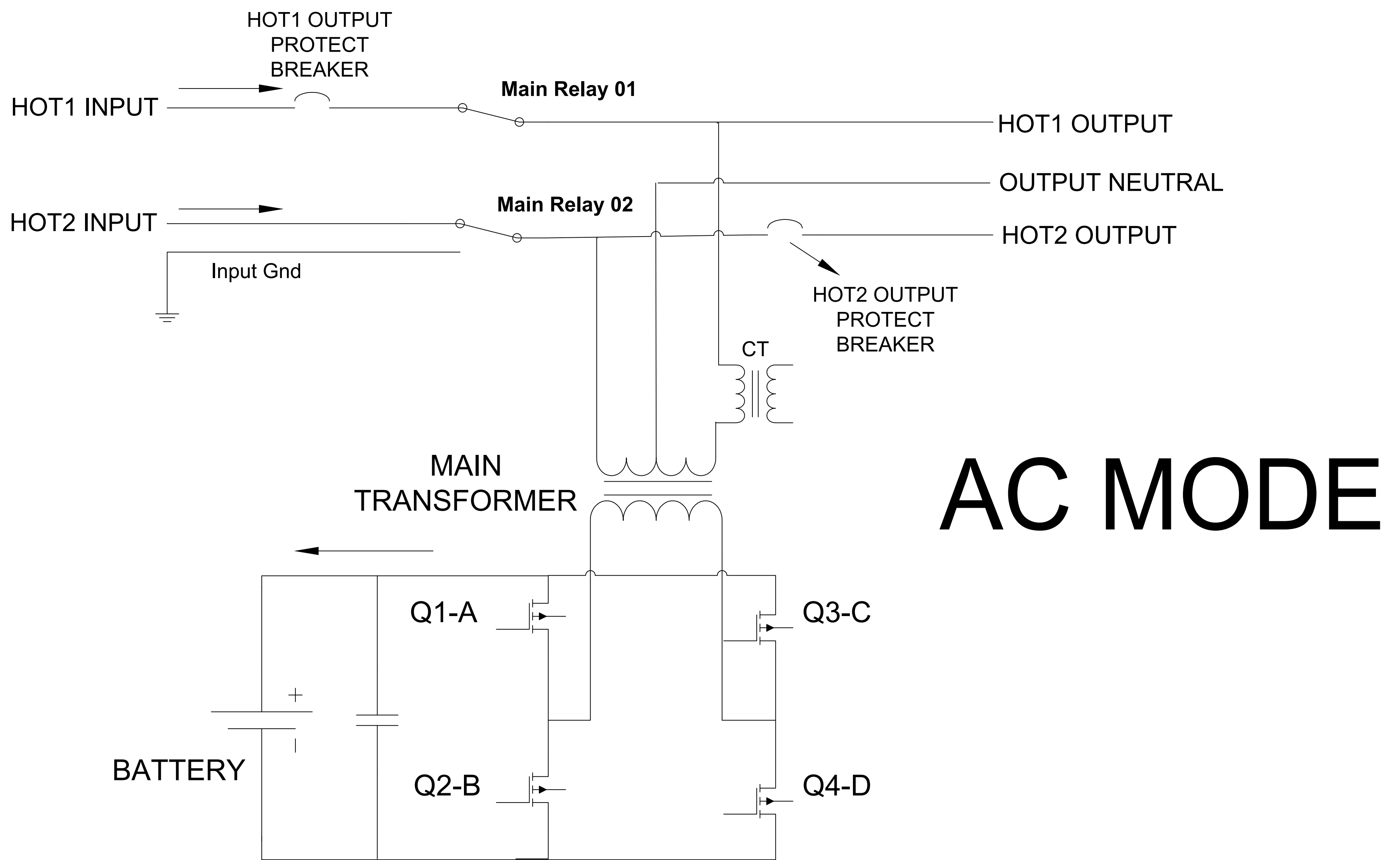


Sigineer Power split phase inverter schematics in both AC mode and Battery mode



In AC mode, HOT1 Output Protect Breaecker protects loads on hot1 from overload and protects battery from overcharging.

In AC mode and battery mode, HOT2 Output Protect Breaecker protects loads on hot2 from overload.

CT detects battery charging current in AC mode and detects load wattage in battery mode.

The output neutral of the inverter is generated from the transformer middle tap, it is not bonded to ground in any type of operation.

