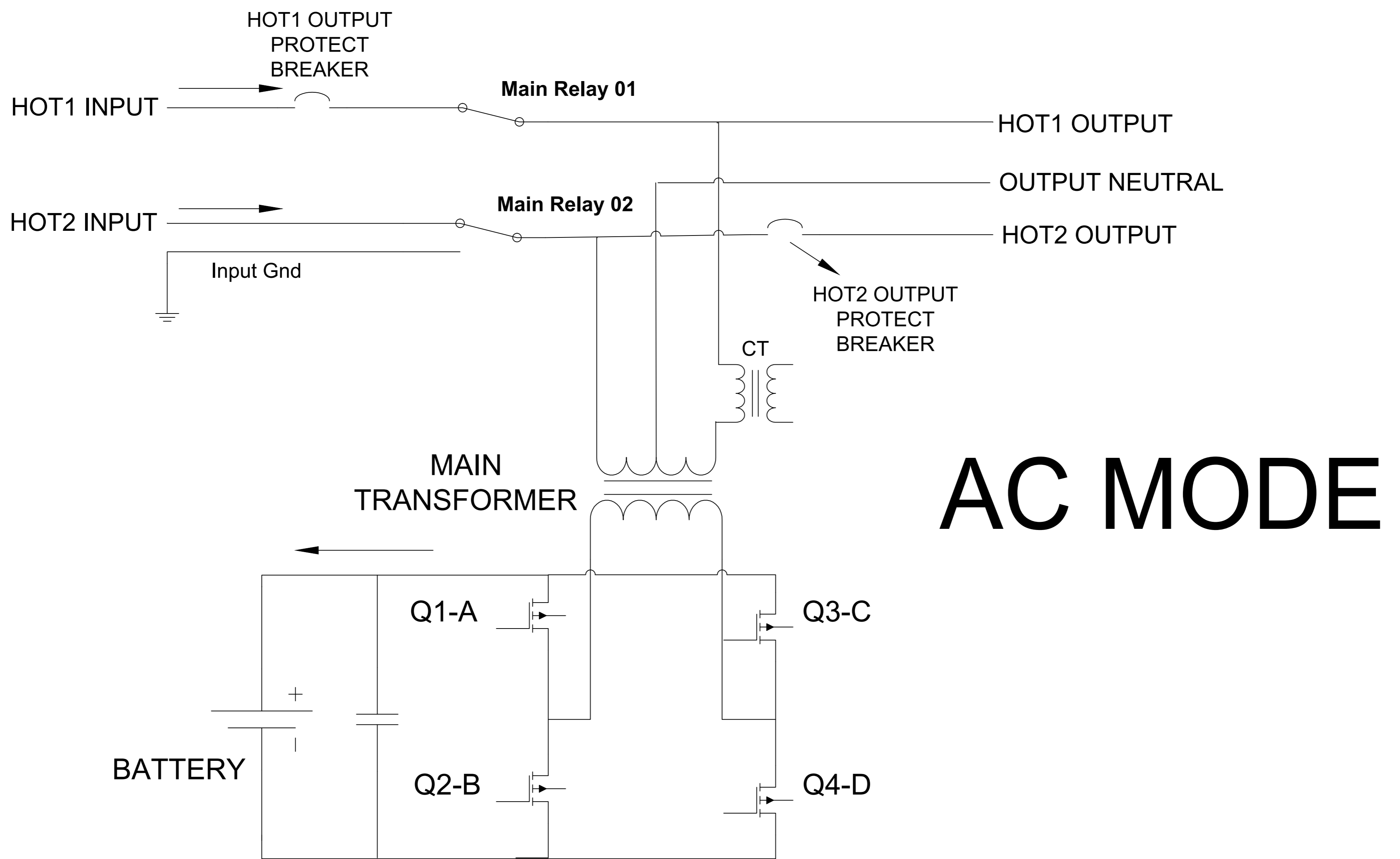


Signeer Power split phase inverter schematics in both AC mode and Battery mode



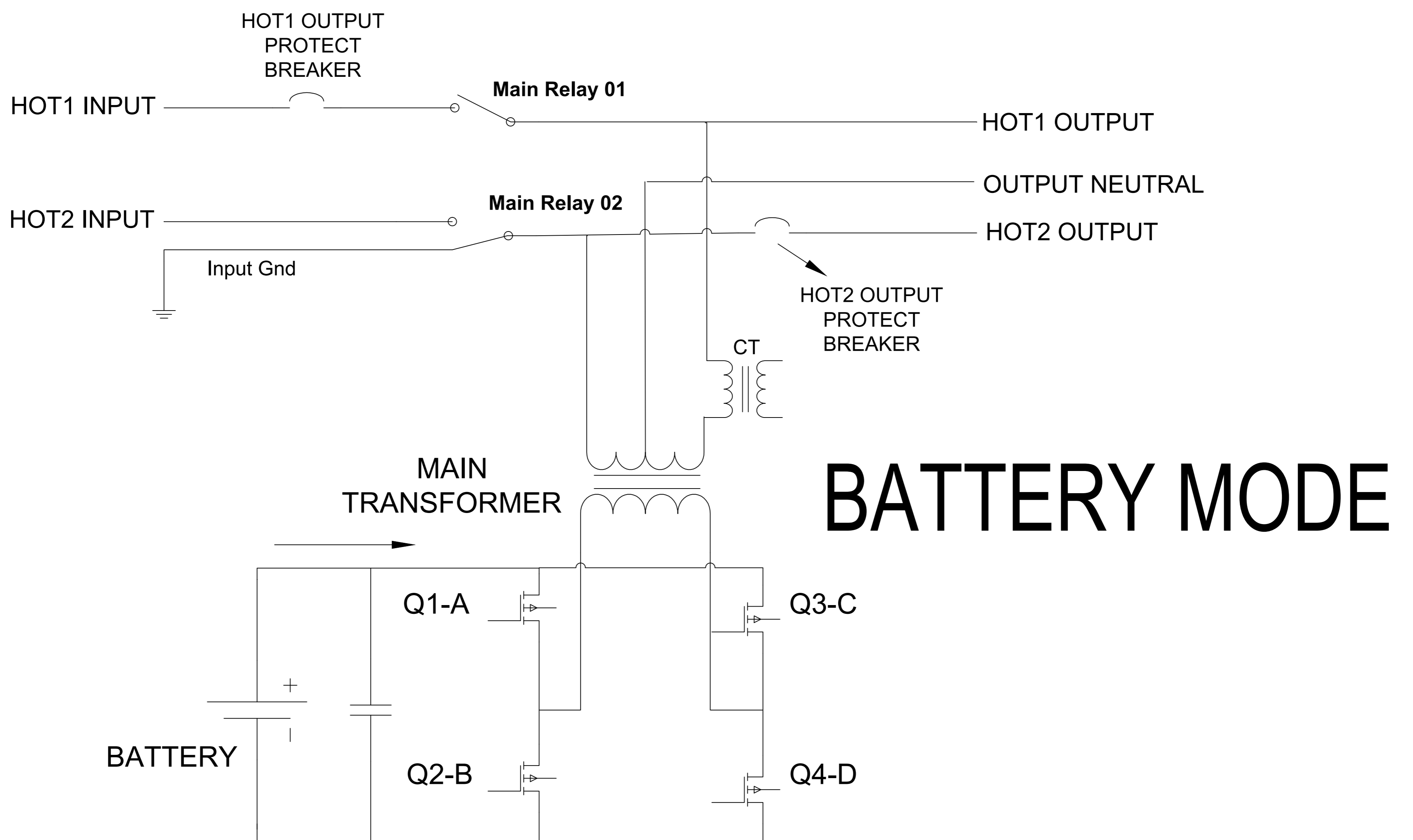
AC MODE

In AC mode, HOT1 Output Protect Breaecker protects loads on hot1 from overload and protects battery from overcharging.

In AC mode and battery mode, HOT2 Output Protect Breaecker protects loads on hot2 from overload.

CT detects battery charging current in AC mode and detects load wattage in battery mode.

The output Neutral of the inverter is floating, and the inverter has an internal relay that will automatically bond the neutral(Hot 2) with ground in battery mode. The split phase inverter charger's electrical wiring complies with the requirements of UL 1741 for for use in stand-alone (not grid-connected) power systems.



BATTERY MODE